

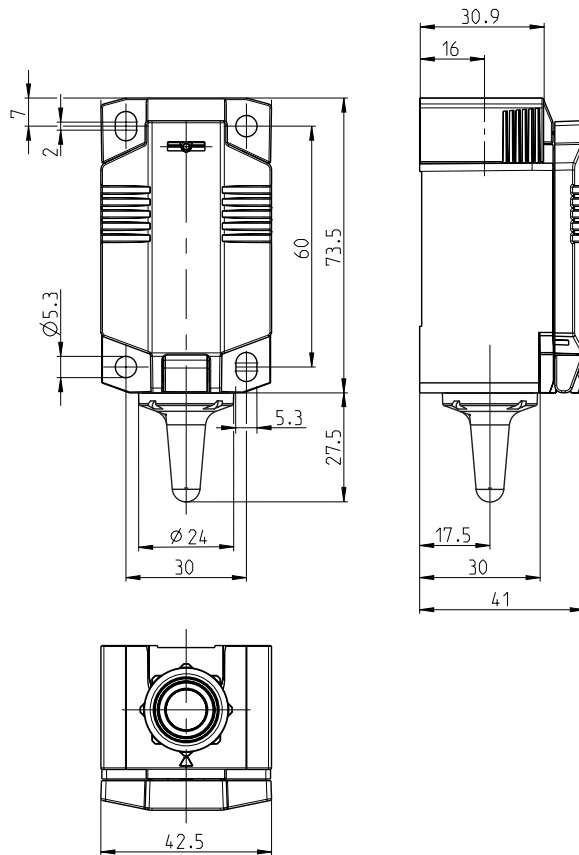
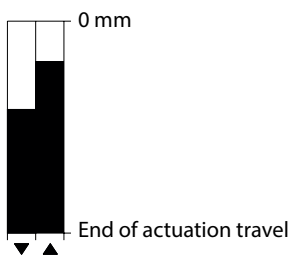
Plastic bodied limit switch
Series IN73

Description **IN73-902 M20**

Article number **6081000142**

Enclosure with wireless transmitter without actuating device

Switching diagram



Operating data

Voltage supply	Electrodynamic energy generator (energy harvesting)
Transmission protocol	EnOcean 902 MHz
Typical operating distances	approximately 80 meters in open space without obstacles approximately 20 meters in industrial environments with structural obstacles

Mechanical data	
Enclosure	Thermoplastic, glass fibre reinforced (UL 94-V0, colour: black))
Cover	Thermoplastic, glass fibre reinforced (UL 94-V0, colour: black))
Ambient air temperature	-15 °C ... +70 °C
Storage temperature	-30 °C ... +80 °C
Mechanical life	1 x 10 ⁶ operating cycles
Weight	≈ 0,11 kg
Protection type	IP66 / IP67 acc. EN 60529, Type 4X – Indoor Use only
Installation position	operator definable

Switching frequency depending on the receiver	
3600 cycles / hour	1 transmitter signal per relay output of the receiver
1800 cycles / hour	2 to 28 simultaneous transmitter signals per relay output of the receiver
720 cycles / hour	1 transmitter per relay output of the receiver in two-stage mode

Standards	
	IEC 60947-5-1
	EN 60947-5-1

EU Conformity	
	acc. to directive 2014/53/EU (RED-directive)

Approvals	
	FCC Part 15B requirements
	ICES-003 requirements

Notes	
The specified protection class (IP code) only applies when the cover is closed and an actuation device intended for the product and correctly installed is used.	
Approvals / properties applies only to the fully assembled device.	